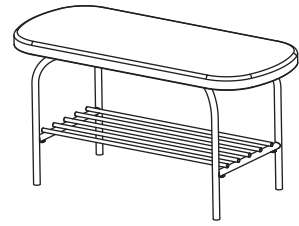
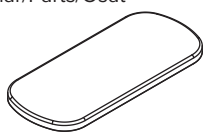


## TOWN HALLBÄNK

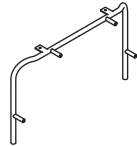
bench/eteispenkki



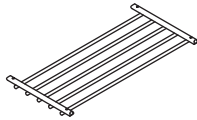
Delar/Parts/Osat



(A) x1



(B) x2



(C) x1



(D) x2

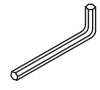


(E) x12

M6 x 12

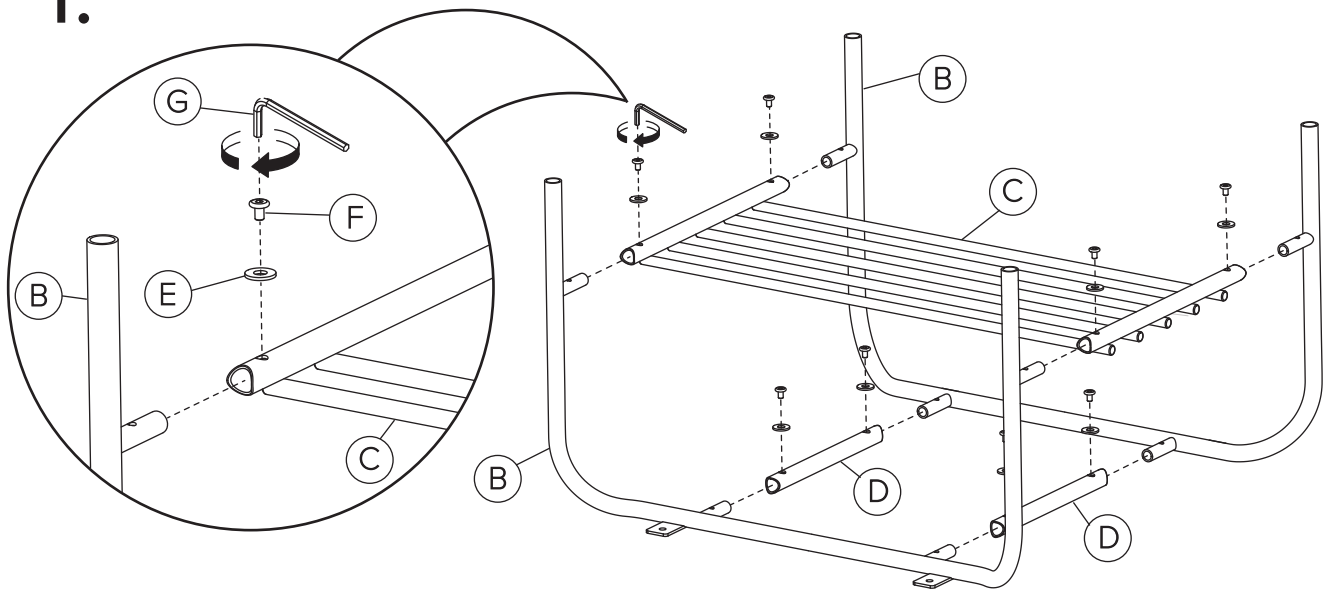


(F) x12



(G) x1

### 1.



### 2.

